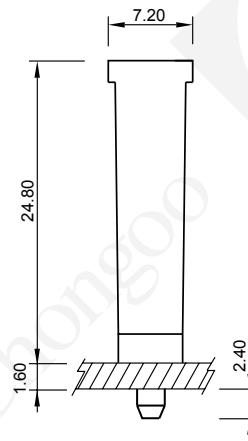


#### ■ 技术参数 TECHNICAL PARAMETR

1. 间距 Pitch: 10.00-8.00mm
2. 额定电流 Current Rating: 5.0A AC/DC.
3. 额定电压 Voltage Rating: 250V AC/DC.
4. 温度范围 Temperature range: -25°C~+85°C
5. 耐压 Withstand Voltage: 1500V/min
6. 接触电阻 Contact resistance:  $\leq 10\text{m}\Omega$
7. 绝缘电阻 Insulation resistance:  $\geq 1000\text{M}\Omega$
8. 适用电线 Applicable wire: AWG#24~#18
9. 适应基板厚度 Applicable PC board thickness: 1.60mm

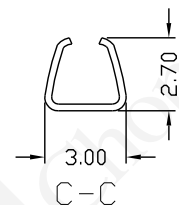
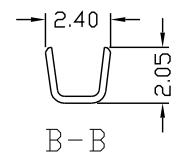
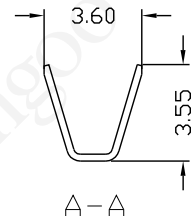
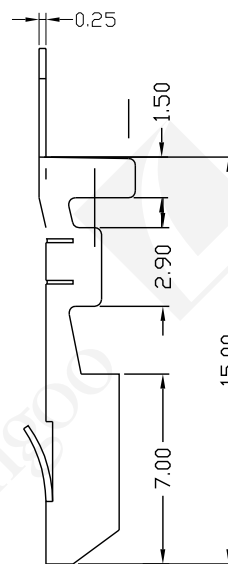
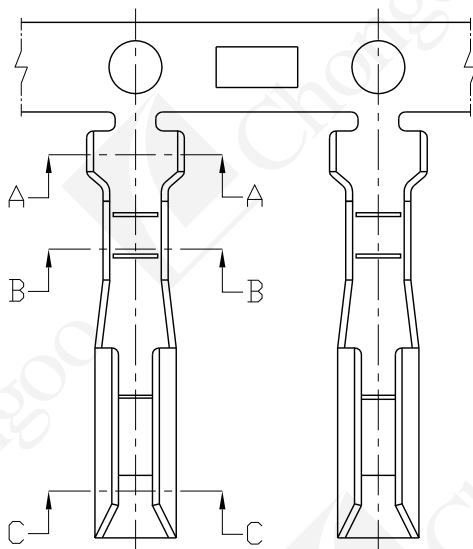
#### ■ 安装图 Assembly layout



#### ■ A1080T (Crimp Terminal)

##### Refelence Infolmations:

\*Used in CG A1080 Series Housing



Part No	Wire Range	Insulation O.D.	Material	Finish	Qty/Reel
A1080T-PA-Z	AWG #24~#18	2.90mm(max)	Phosphor bronze	Tin-plated	

Unit:mm

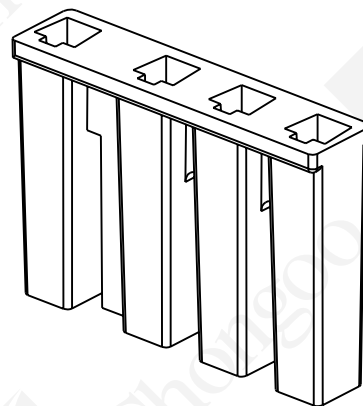
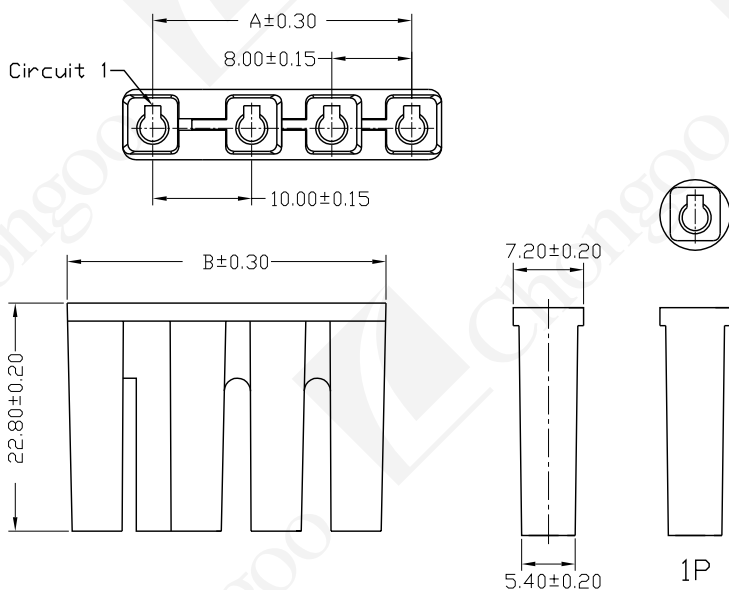
### ■ A1080Y (Housing)

#### Reference Informations:

\*Material: PA66 (UL94V-0)

\*Suitable CG A1080 series Terminal

\*Mates With CG A1080 Series Wafer



### ■ Ordering Information & Dimensions

PART No.	A	B	C
A1080Y-1P	-	7.50	
A1080Y-2P	10.00	16.00	
A1080Y-3P	18.00	24.00	
A1080Y-4P	26.00	32.00	
A1080Y-5P	34.00	40.00	
A1080Y-6P	42.00	48.00	

### ■ A1080A (Vertical Angle Wafer DIP TYPE)

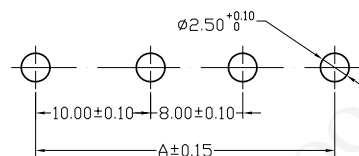
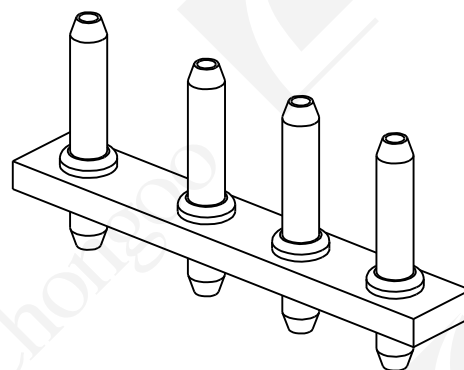
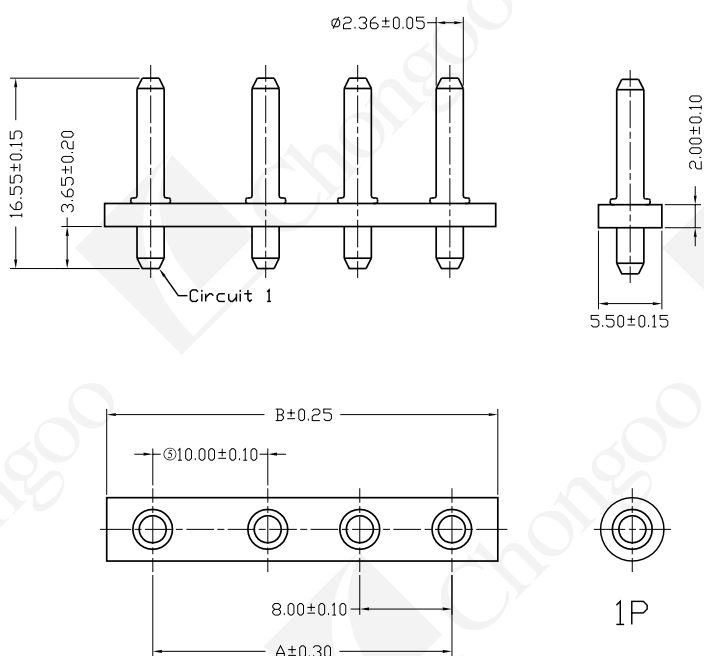
#### Reference Informations:

\*Material:

Pin: Brass / Tin-plated

Wafer: PA66 (UL94V-0)

\*Mates With CG A1080 Series Housing



**P.C.B Layout**

### ■ Ordering Information & Dimensions

PART No.	A	B	C
A1080Y-1P	-	6.00	
A1080Y-2P	10.00	18.00	
A1080Y-3P	18.00	26.00	
A1080Y-4P	26.00	34.00	
A1080Y-5P	34.00	42.00	
A1080Y-6P	42.00	50.00	