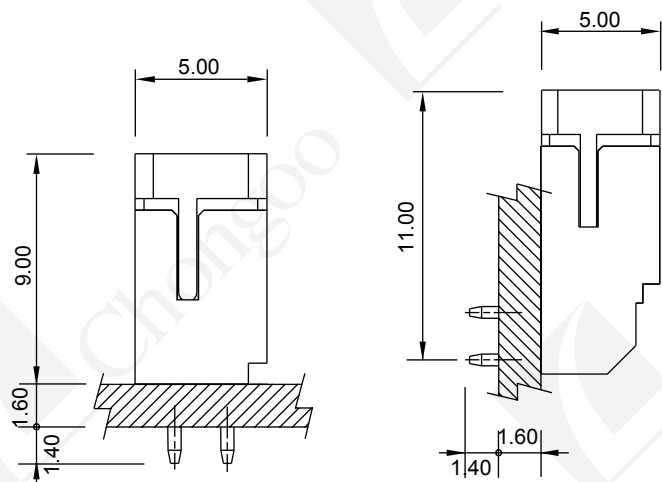


■ 技术参数 TECHNICAL PARAMETR

1. 间距 Pitch : 2.00mm
2. 额定电流 Current Rating : 2.0A AC/DC.
3. 额定电压 Voltage Rating : 250V AC/DC.
4. 温度范围 Temperature range : -25°C~+85°C
5. 耐压 Withstand Voltage : 800V/min
6. 接触电阻 Contact resistance : $\leq 30m\Omega$
7. 绝缘电阻 Insulation resistance : $\geq 1000M\Omega$
8. 适用电线 Applicable wire : AWG#30~#22
9. 适应基板厚度 Applicable PC board thickness : 1.60mm

■ 安装图 Asembly layout

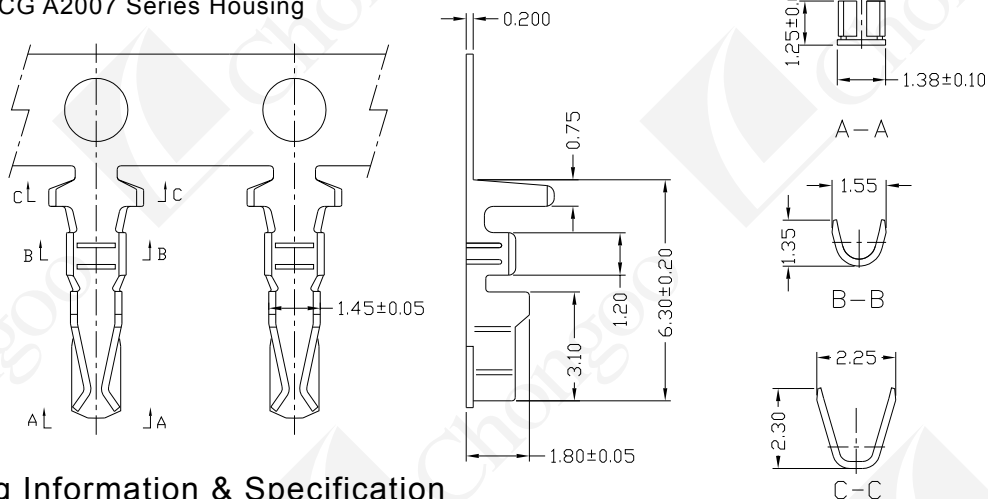


Wire to Board Connector

■ A2007T (Crimp Terminal)

Reference Infolmations:

*Used in CG A2007 Series Housing



■ Ordering Information & Specification

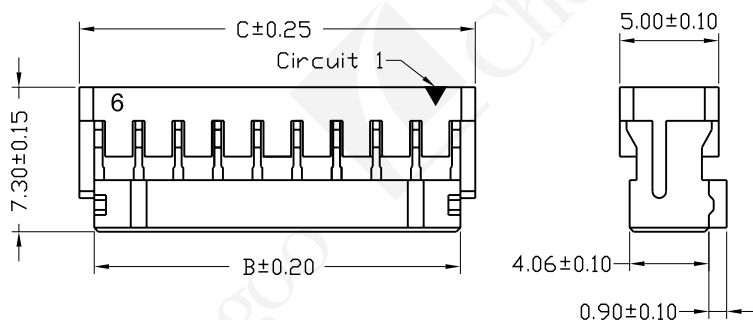
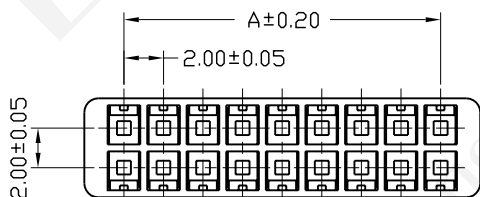
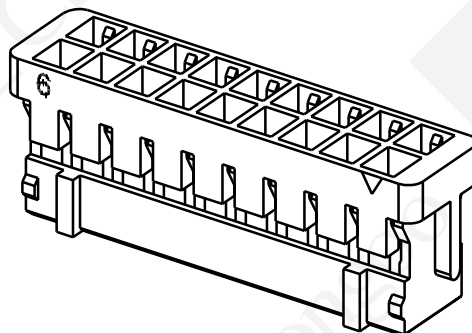
Part No	Wire Range	Insulation O.D.	Material	Finish	Qty/Reel
A2006-PA-Z	AWG #30~#22	1.60mm(max)	Phosphor bronze	Tin-plated	

Unit:mm

■ A2007Y (Dual Row Housing)

Reference Informations:

- *Material: PA66 (UL94V-0)
- *Suitable CG A2007 series Terminal
- *Mates With CG A2007 Series Dual Row Wafer



■ Ordering Information & Dimensions

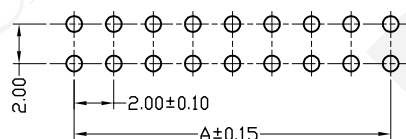
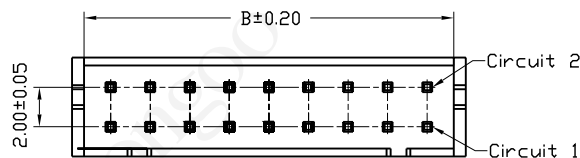
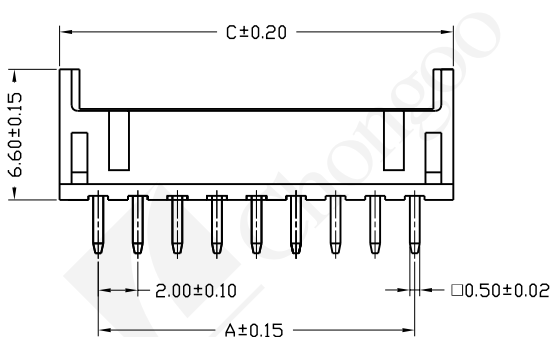
PART No.	A	C	D	PART No.	A	C	D
A2007Y-2×2P	2.00	4.50	6.00	A2007Y-2×9P	16.00	18.50	20.00
A2007Y-2×3P	4.00	6.50	8.00	A2007Y-2×10P	18.00	20.50	22.00
A2007Y-2×4P	6.00	8.50	10.00	A2007Y-2×11P	20.00	22.50	24.00
A2007Y-2×5P	8.00	10.50	12.00	A2007Y-2×12P	22.00	24.50	26.00
A2007Y-2×6P	10.00	12.50	14.00	A2007Y-2×13P	24.00	26.50	28.00
A2007Y-2×7P	12.00	14.50	16.00	A2007Y-2×14P	26.00	28.50	30.00
A2007Y-2×8P	14.00	16.50	18.00	A2007Y-2×15P	28.00	30.50	32.00

Wire to Board Connector

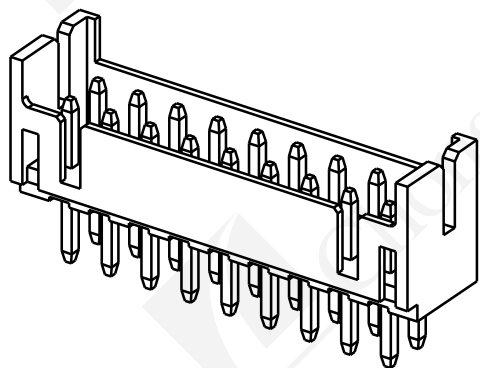
■ A2007A (Vertical Angle Dual Row Wafer DIP)

Reference Informations:

- *Material: Pin: Brass / Tin-plated
Wafer: PA66 (UL94V-0)
- *Mates With CG A2007 Series Dual Row Housing



P.C.B Layout



■ Ordering Information & Dimensions

PART No.	A	C	D	PART No.	A	C	D
A2007A-2×2P	2.00	4.70	5.90	A2007A-2×9P	16.00	18.70	19.90
A2007A-2×3P	4.00	6.70	7.90	A2007A-2×10P	18.00	20.70	21.90
A2007A-2×4P	6.00	8.70	9.90	A2007A-2×11P	20.00	22.70	23.90
A2007A-2×5P	8.00	10.70	11.90	A2007A-2×12P	22.00	24.70	25.90
A2007A-2×6P	10.00	12.70	13.90	A2007A-2×13P	24.00	26.70	27.90
A2007A-2×7P	12.00	14.70	15.90	A2007A-2×14P	26.00	28.70	29.90
A2007A-2×8P	14.00	16.70	17.90	A2007A-2×15P	28.00	30.70	31.90



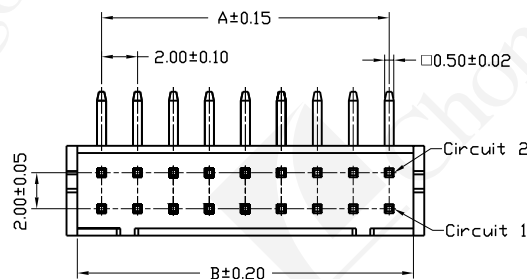
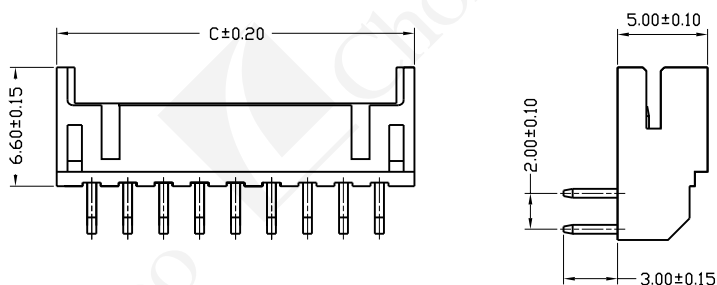
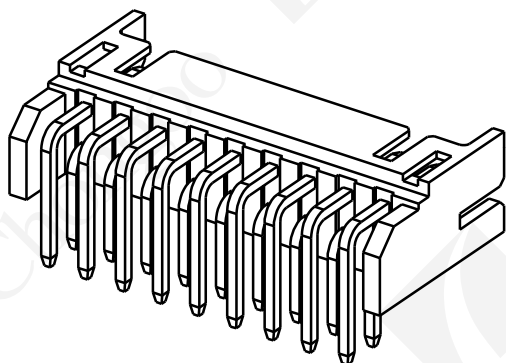
■ A2007AWD (Right Angle Dual Row Wafer DIP)

Reference Infolmations:

*Material: Pin: Brass / Tin-plated

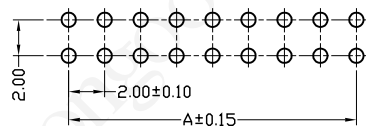
Wafer: PA66 (UL94V-0)

*Mates With CG A2007 Series Dual Row Housing



■ Ordering Informftion & Dimensions

PART No.	A	C	D	PART No.	A	C	D
A2007AWD-2×2P	2.00	4.70	5.90	A2007AWD-2×9P	16.00	18.70	19.90
A2007AWD-2×3P	4.00	6.70	7.90	A2007AWD-2×10P	18.00	20.70	21.90
A2007AWD-2×4P	6.00	8.70	9.90	A2007AWD-2×11P	20.00	22.70	23.90
A2007AWD-2×5P	8.00	10.70	11.90	A2007AWD-2×12P	22.00	24.70	25.90
A2007AWD-2×6P	10.00	12.70	13.90	A2007AWD-2×13P	24.00	26.70	27.90
A2007AWD-2×7P	12.00	14.70	15.90	A2007AWD-2×14P	26.00	28.70	29.90
A2007AWD-2×8P	14.00	16.70	17.90	A2007AWD-2×15P	28.00	30.70	31.90



P.C.B Layout

Wire to Board Connector