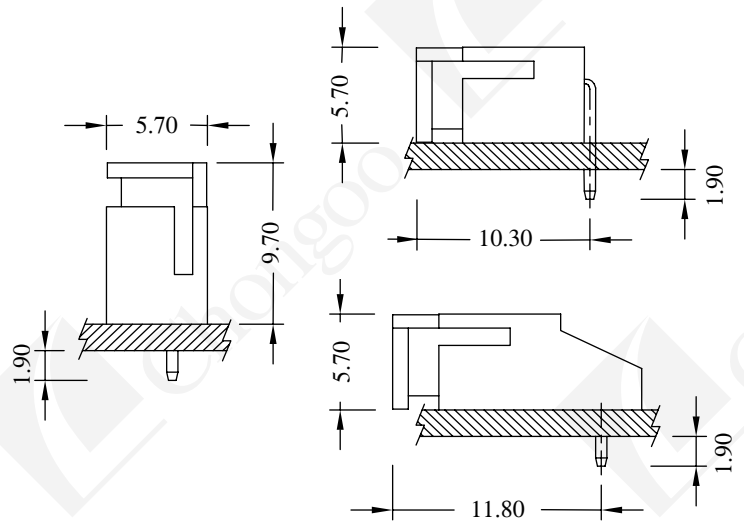


■ 技术参数 TECHNICAL PARAMETR

1. 间距 Pitch: 2.50mm
2. 额定电流 Current Rating: 3.0A AC/DC.
3. 额定电压 Voltage Rating: 250V AC/DC.
4. 温度范围 Temperature range: -25°C~+85°C
5. 耐压 Withstand Voltage: 1000V/min
6. 接触电阻 Contact resistance: $\leq 20m\Omega$
7. 绝缘电阻 Insulation resistance: $\geq 1000M\Omega$
8. 适用电线 Applicable wire: AWG#28~#22
9. 适应基板厚度 Applicable PC board thickness: 1.60mm

■ 安装图 Assembly layout

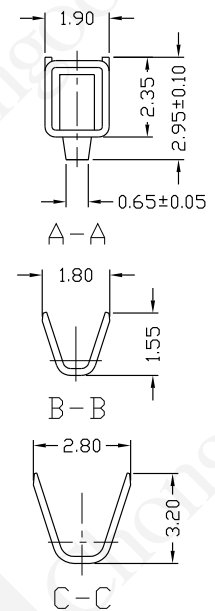
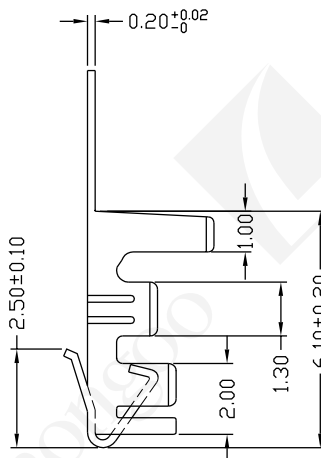
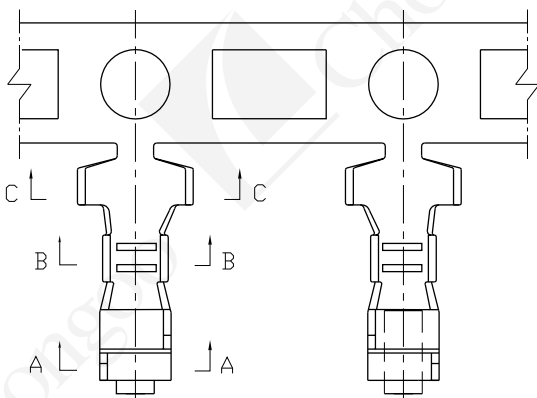


Wire to Board Connector

■ A2500T (Crimp Terminal)

Reference Infomations:

*Used in CG A2500 Series Housing



■ Ordering Information & Specification

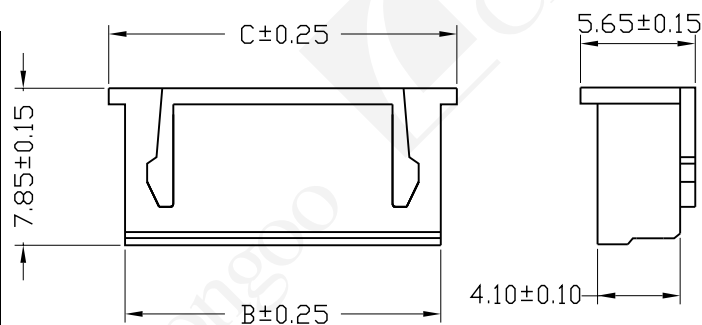
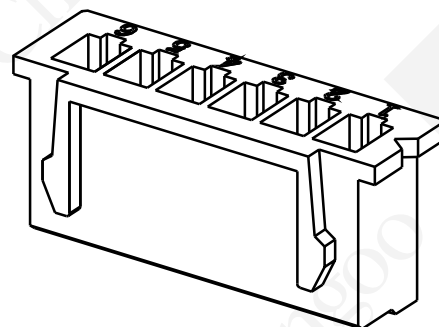
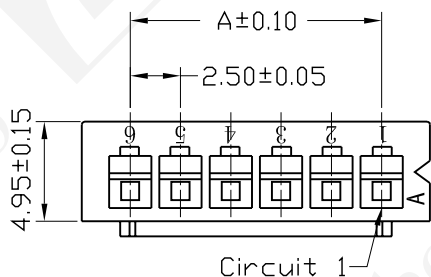
Part No	Wire Range	Insulation O.D.	Material	Finish	Qty/Reel
A2500T-PA-Z	AWG #28~#22	1.90mm(max)	Phosphor bronze	Tin-plated	

Unit:mm

■ A2500Y (Housing)

Reference Informations:

- *Material: PA66 (UL94V-0)
- *Suitable CG A2500 series Terminal
- *Mates With CG A2500 Series Wafer



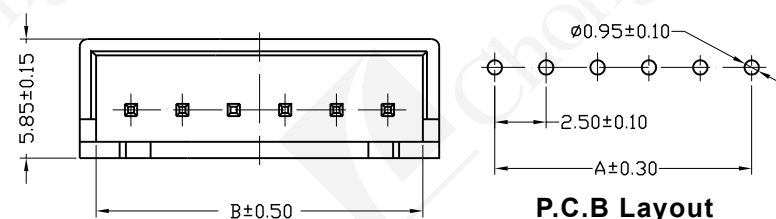
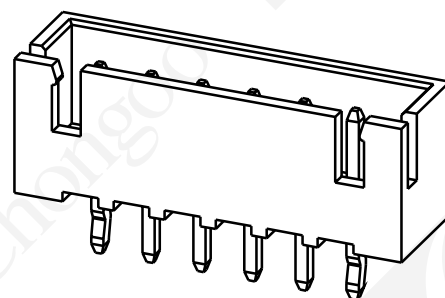
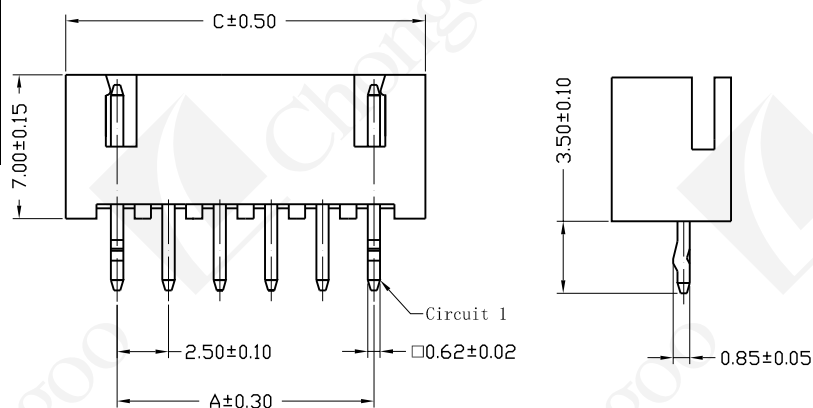
■ Ordering Information & Dimensions

PART No.	A	C	D	PART No.	A	C	D
A2500Y-2P	2.50	5.80	7.30	A2500Y-11P	25.00	28.30	29.80
A2500Y-3P	5.00	8.30	9.80	A2500Y-12P	27.50	30.80	32.30
A2500Y-4P	7.50	10.80	12.30	A2500Y-13P	30.00	33.30	34.80
A2500Y-5P	10.00	13.30	14.80	A2500Y-14P	32.50	35.80	37.30
A2500Y-6P	12.50	15.80	17.30	A2500Y-15P	35.00	38.30	39.80
A2500Y-7P	15.00	18.30	19.80	A2500Y-16P	37.50	40.80	42.30
A2500Y-8P	17.50	20.80	22.30	A2500Y-17P	40.00	43.30	44.80
A2500Y-9P	20.00	23.30	24.80	A2500Y-18P	42.50	45.80	47.30
A2500Y-10P	22.50	25.80	27.30				

■ A2500A (Vertical Angle Wafer DIP)

Reference Informations:

- *Material: Pin: Brass / Tin-plated
Wafer: PA66 (UL94V-0)
- *Mates With CG A2500 Series Housing



■ Ordering Information & Dimensions

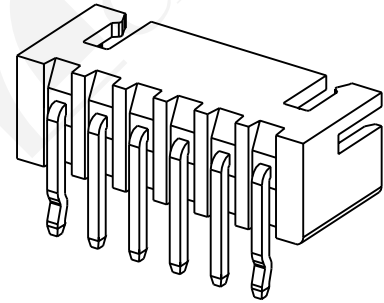
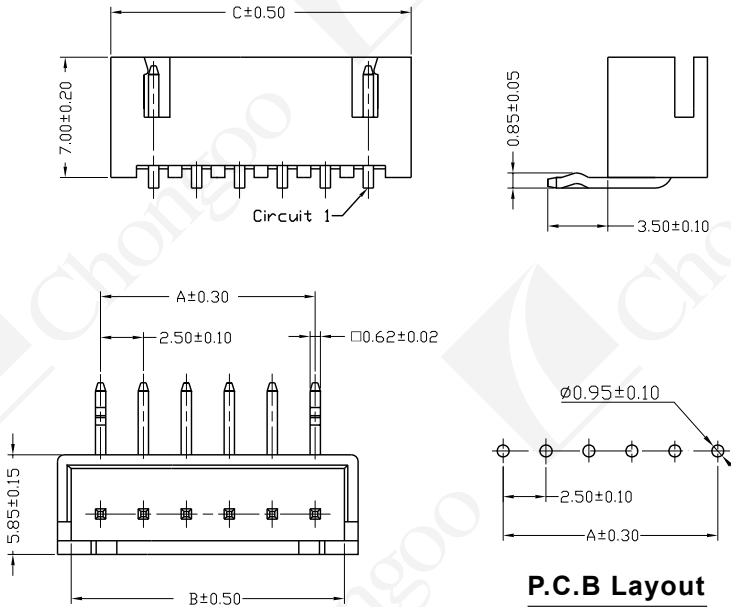
PART No.	A	C	D	PART No.	A	C	D
A2500A-2P	2.50	6.00	7.50	A2500A-11P	25.00	28.50	30.00
A2500A-3P	5.00	8.50	10.00	A2500A-12P	27.50	31.00	32.50
A2500A-4P	7.50	11.00	12.50	A2500A-13P	30.00	33.50	35.00
A2500A-5P	10.00	13.50	15.00	A2500A-14P	32.50	36.00	37.50
A2500A-6P	12.50	16.00	17.50	A2500A-15P	35.00	38.50	40.00
A2500A-7P	15.00	18.50	20.00	A2500A-16P	37.50	41.00	42.50
A2500A-8P	17.50	21.00	22.50	A2500A-17P	40.00	43.50	45.00
A2500A-9P	20.00	23.50	25.00	A2500A-18P	42.50	45.00	47.50
A2500A-10P	22.50	26.00	27.50				

■ A2500AW (Right Angle Wafer DIP)

Reference Information:

*Material: Pin: Brass / Tin-plated
Wafer: PA66 (UL94V-0)

*Mates With CG A2500 Series Housing



■ Ordering Information & Dimensions

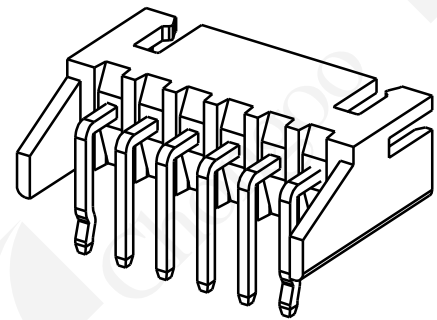
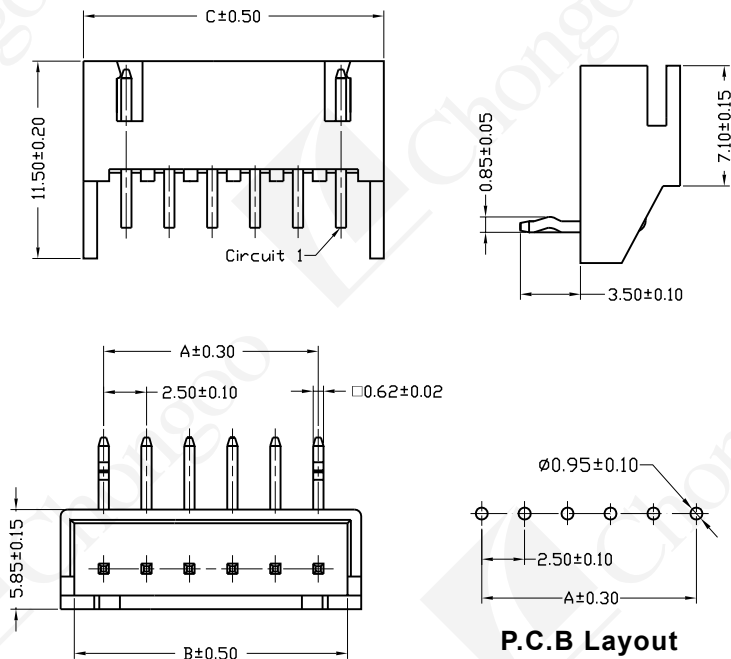
PART No.	A	C	D	PART No.	A	C	D
A2500AW-2P	2.50	6.00	7.50	A2500AW-11P	25.00	28.50	30.00
A2500AW-3P	5.00	8.50	10.00	A2500AW-12P	27.50	31.00	32.50
A2500AW-4P	7.50	11.00	12.50	A2500AW-13P	30.00	33.50	35.00
A2500AW-5P	10.00	13.50	15.00	A2500AW-14P	32.50	36.00	37.50
A2500AW-6P	12.50	16.00	17.50	A2500AW-15P	35.00	38.50	40.00
A2500AW-7P	15.00	18.50	20.00	A2500AW-16P	37.50	41.00	42.50
A2500AW-8P	17.50	21.00	22.50	A2500AW-17P	40.00	43.50	45.00
A2500AW-9P	20.00	23.50	25.00	A2500AW-18P	42.50	46.00	47.50
A2500AW-10P	22.50	26.00	27.50				

■ A2500AWD (Right Angle Wafer DIP)

Reference Information:

*Material: Pin: Brass / Tin-plated
Wafer: PA66 (UL94V-0)

*Mates With CG A2500 Series Housing



■ Ordering Information & Dimensions

PART No.	A	C	D	PART No.	A	C	D
A2500AW-2P	2.50	6.00	7.50	A2500AW-11P	25.00	28.50	30.00
A2500AW-3P	5.00	8.50	10.00	A2500AW-12P	27.50	31.00	32.50
A2500AW-4P	7.50	11.00	12.50	A2500AW-13P	30.00	33.50	35.00
A2500AW-5P	10.00	13.50	15.00	A2500AW-14P	32.50	36.00	37.50
A2500AW-6P	12.50	16.00	17.50	A2500AW-15P	35.00	38.50	40.00
A2500AW-7P	15.00	18.50	20.00	A2500AW-16P	37.50	41.00	42.50
A2500AW-8P	17.50	21.00	22.50	A2500AW-17P	40.00	43.50	45.00
A2500AW-9P	20.00	23.50	25.00	A2500AW-18P	42.50	46.00	47.50
A2500AW-10P	22.50	26.00	27.50				