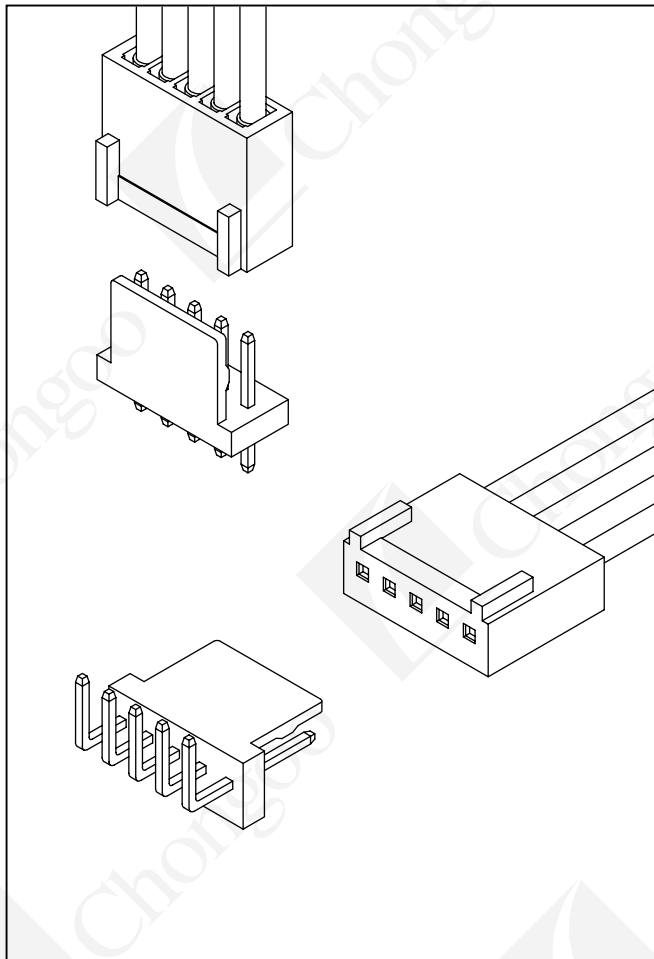
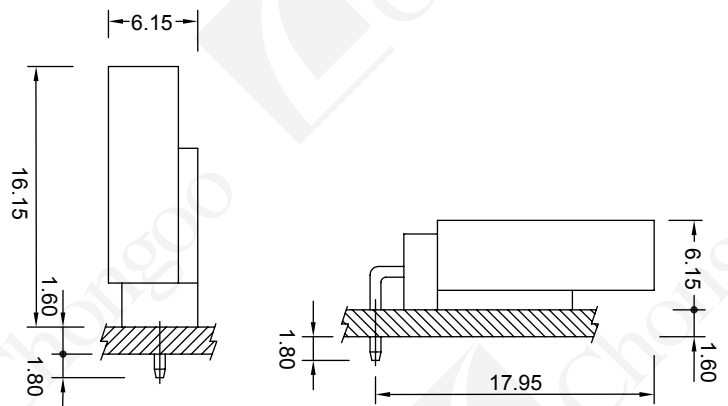




■ 技术参数 TECHNICAL PARAMETR

1. 间距 Pitch: 2.54mm
2. 额定电流 Current Rating: 2.5A AC/DC.
3. 额定电压 Voltage Rating: 250V AC/DC.
4. 温度范围 Temperature range: -25°C~+85°C
5. 耐压 Withstand Voltage: 1500V/min
6. 接触电阻 Contact resistance: $\leq 20\text{m}\Omega$
7. 绝缘电阻 Insulation resistance: $\geq 1000\text{M}\Omega$
8. 适用电线 Applicable wire: AWG#30~#22
9. 适应基板厚度 Applicable PC board thickness: 1.60mm

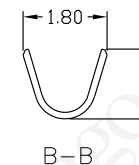
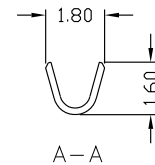
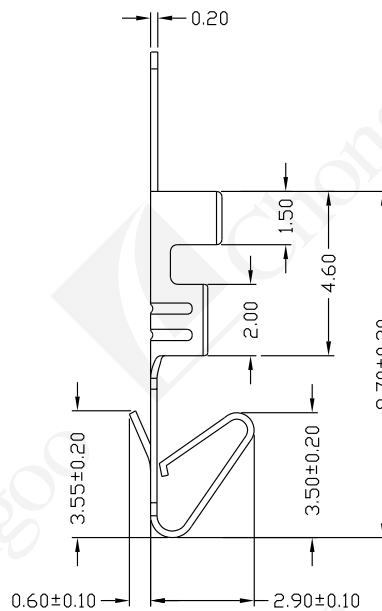
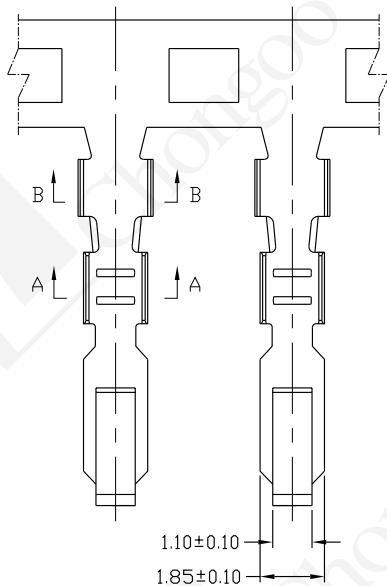
■ 安装图 Assembly layout



■ A2542T (Crimp Terminal)

Reference Informations:

*Used in CG A2542 Series Housing



■ Ordering Information & Specification

Part No	Wire Range	Insulation O.D.	Material	Finish	Qty/Reel
A2542T-PA-Z	AWG #30~#22	1.60mm(max)	Phosphor bronze	Tin-plated	

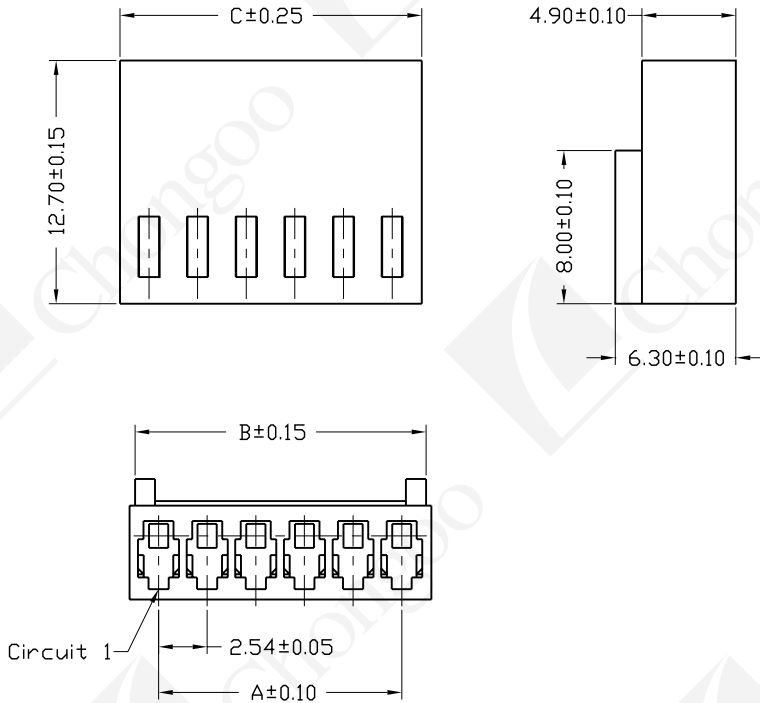
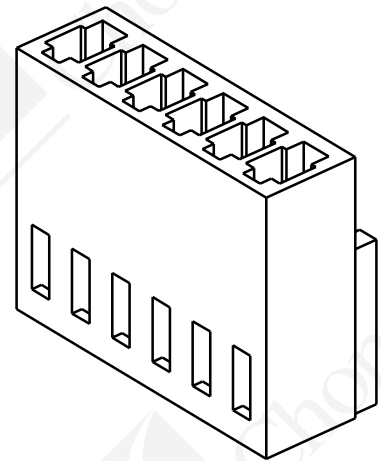
Unit:mm



■ A2542Y (Housing)

Reference Information:

- *Material: PA66 (UL94V-0)
- *Suitable CG A2542 series Terminal
- *Mates With CG A2542 Series Header



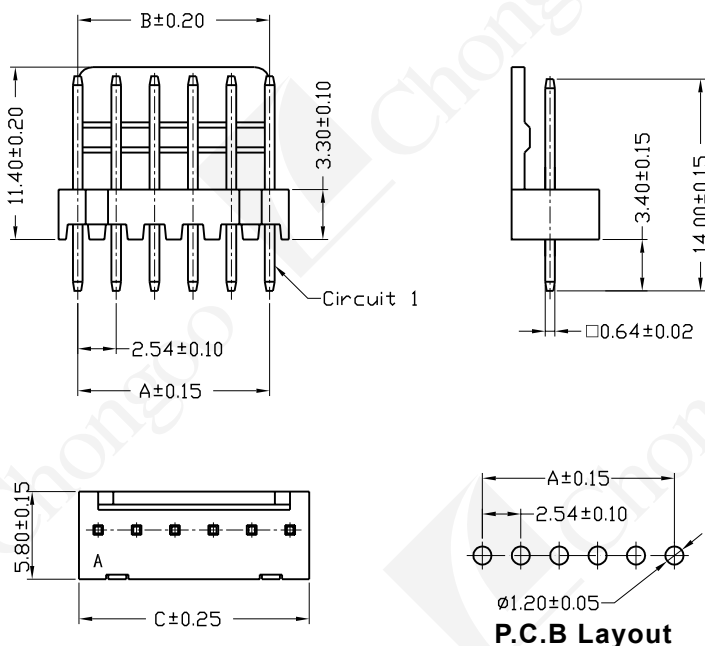
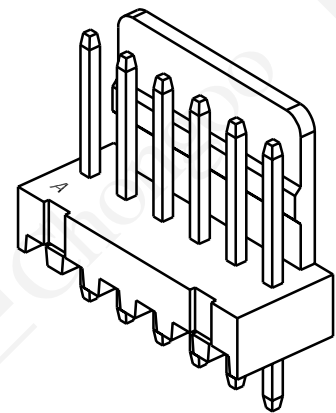
■ Ordering Information & Dimensions

PART No.	A	C	D	PART No.	A	C	D
A2542Y-2P	2.54	3.04	5.68	A2542Y-12P	27.94	28.44	31.08
A2542Y-3P	5.08	5.58	8.22	A2542Y-13P	30.84	30.98	33.62
A2542Y-4P	7.62	8.12	10.76	A2542Y-14P	33.02	33.52	36.16
A2542Y-5P	10.16	10.66	13.30	A2542Y-15P	35.56	36.06	38.70
A2542Y-6P	12.70	13.20	15.84	A2542Y-16P	38.10	38.60	41.24
A2542Y-7P	15.24	15.74	18.38	A2542Y-17P	40.64	41.14	43.78
A2542Y-8P	17.78	18.28	20.92	A2542Y-18P	43.18	43.68	46.32
A2542Y-9P	20.32	20.82	23.46	A2542Y-19P	45.72	46.22	48.86
A2542Y-10P	22.86	23.36	26.00	A2542Y-20P	48.26	48.76	51.40
A2542Y-11P	25.40	25.90	28.54				

■ A2542A (Vertical Angle Wafer DIP)

Reference Information:

- *Material: Pin: Brass / Tin-plated
Wafer: PA66 (UL94V-0)
- *Mates With CG A2542 Series Housing



■ Ordering Information & Dimensions

PART No.	A	C	D	PART No.	A	C	D
A2542A-2P	2.54	2.54	5.08	A2542A-12P	27.94	27.94	30.48
A2542A-3P	5.08	5.08	7.62	A2542A-13P	30.84	30.84	33.02
A2542A-4P	7.62	7.62	10.16	A2542A-14P	33.02	33.02	35.56
A2542A-5P	10.16	10.16	12.70	A2542A-15P	35.56	35.56	38.10
A2542A-6P	12.70	12.70	15.24	A2542A-16P	38.10	38.10	40.64
A2542A-7P	15.24	15.24	17.78	A2542A-17P	40.64	40.64	43.18
A2542A-8P	17.78	17.78	20.32	A2542A-18P	43.18	43.18	45.72
A2542A-9P	20.32	20.32	22.86	A2542A-19P	45.72	45.72	48.26
A2542A-10P	22.86	22.86	25.40	A2542A-20P	48.26	48.26	50.80
A2542A-11P	25.40	25.40	27.94				

Unit:mm

Wire to Board Connector

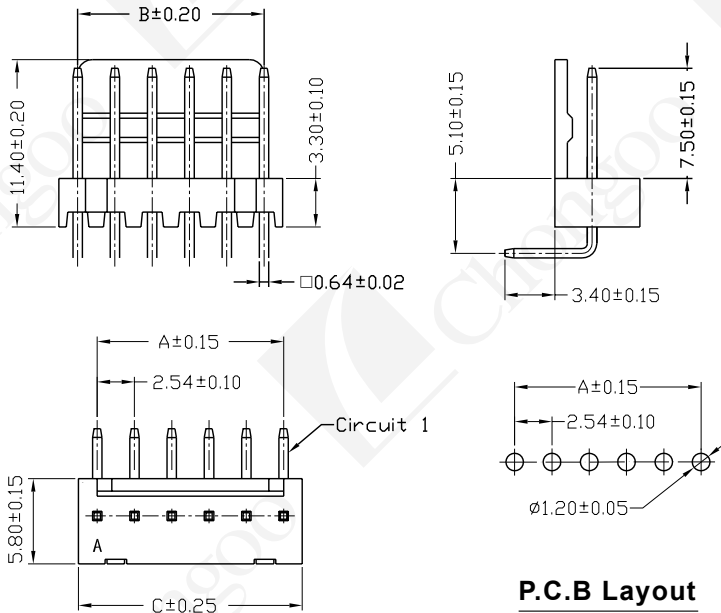
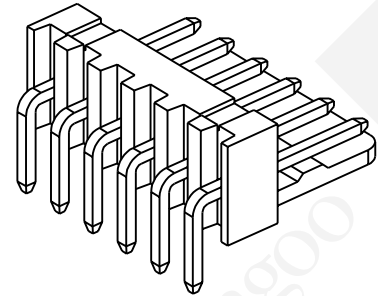
■ A2542AWGH (Right Angle Wafer DIP)

Reference Informations:

*Material: Pin: Brass / Tin-plated

Wafer: PA66 (UL94V-0)

*Mates With CG A2542 Series Housing



■ Ordering Information & Dimensions

PART No.	A	C	D	PART No.	A	C	D
A2542AWGH-2P	2.54	2.54	5.08	A2542AWGH-12P	27.94	27.94	30.48
A2542AWGH-3P	5.08	5.08	7.62	A2542AWGH-13P	30.84	30.84	33.02
A2542AWGH-4P	7.62	7.62	10.16	A2542AWGH-14P	33.02	33.02	35.56
A2542AWGH-5P	10.16	10.16	12.70	A2542AWGH-15P	35.56	35.56	38.10
A2542AWGH-6P	12.70	12.70	15.24	A2542AWGH-16P	38.10	38.10	40.64
A2542AWGH-7P	15.24	15.24	17.78	A2542AWGH-17P	40.64	40.64	43.18
A2542AWGH-8P	17.78	17.78	20.32	A2542AWGH-18P	43.18	43.18	45.72
A2542AWGH-9P	20.32	20.32	22.86	A2542AWGH-19P	45.72	45.72	48.26
A2542AWGH-10P	22.86	22.86	25.40	A2542AWGH-20P	48.26	48.26	50.80
A2542AWGH-11P	25.40	25.40	27.94				

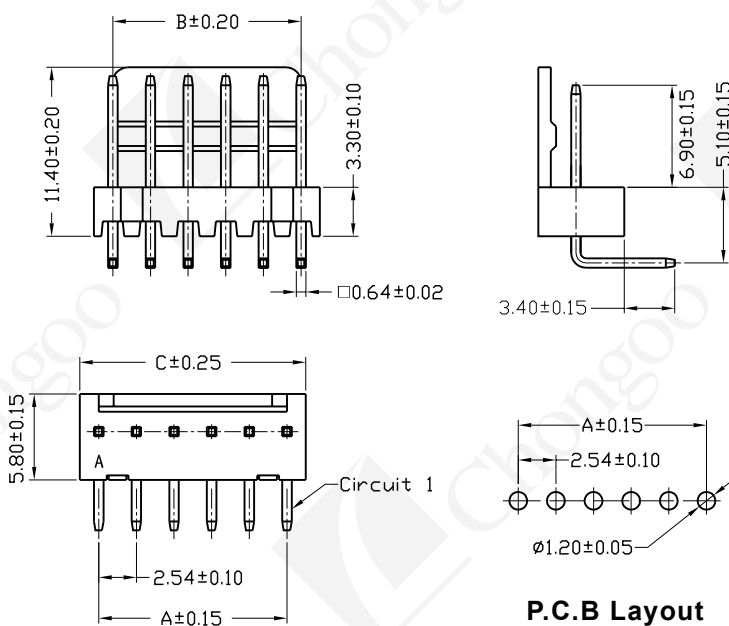
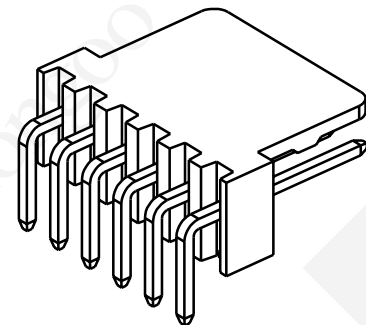
■ A2542AWGQ (Right Angle Wafer DIP)

Reference Informations:

*Material: Pin: Brass / Tin-plated

Wafer: PA66 (UL94V-0)

*Mates With CG A2542 Series Housing



■ Ordering Information & Dimensions

PART No.	A	C	D	PART No.	A	C	D
A2542AWGQ-2P	2.54	2.54	5.08	A2542AWGQ-12P	27.94	27.94	30.48
A2542AWGQ-3P	5.08	5.08	7.62	A2542AWGQ-13P	30.84	30.84	33.02
A2542AWGQ-4P	7.62	7.62	10.16	A2542AWGQ-14P	33.02	33.02	35.56
A2542AWGQ-5P	10.16	10.16	12.70	A2542AWGQ-15P	35.56	35.56	38.10
A2542AWGQ-6P	12.70	12.70	15.24	A2542AWGQ-16P	38.10	38.10	40.64
A2542AWGQ-7P	15.24	15.24	17.78	A2542AWGQ-17P	40.64	40.64	43.18
A2542AWGQ-8P	17.78	17.78	20.32	A2542AWGQ-18P	43.18	43.18	45.72
A2542AWGQ-9P	20.32	20.32	22.86	A2542AWGQ-19P	45.72	45.72	48.26
A2542AWGQ-10P	22.86	22.86	25.40	A2542AWGQ-20P	48.26	48.26	50.80
A2542AWGQ-11P	25.40	25.40	27.94				



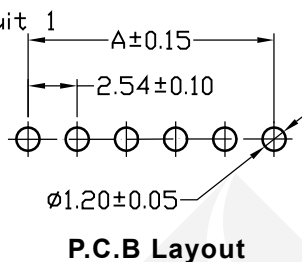
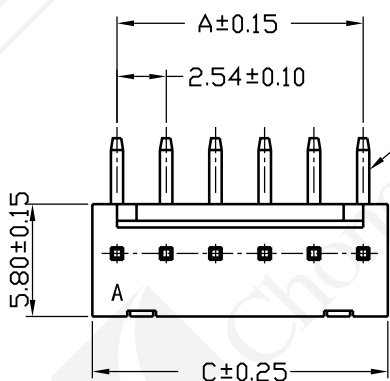
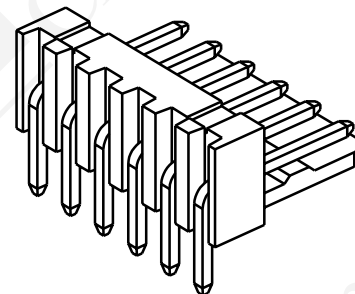
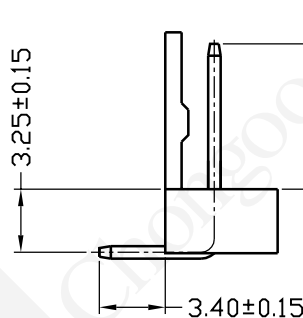
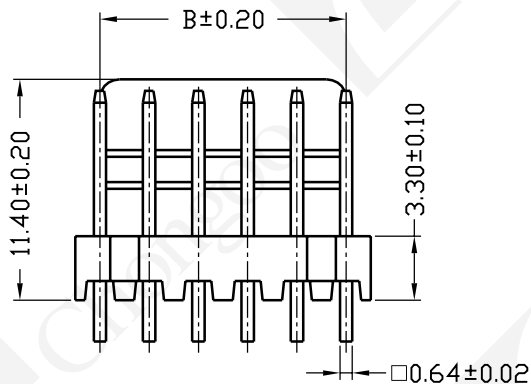
■ A2542AWH (Right Angle Wafer DIP)

Refelence Infolmations:

*Material:Pin:Brass /Tin-plated

Wafer:PA66 (UL94V-0)

*Mates With CG A2542 Series Housing



■ Ordering Informftion & Dimensions

PART No.	A	C	D	PART No.	A	C	D
A2542AWH-2P	2.54	2.54	5.08	A2542AWH-12P	27.94	27.94	30.48
A2542AWH-3P	5.08	5.08	7.62	A2542AWH-13P	30.84	30.84	33.02
A2542AWH-4P	7.62	7.62	10.16	A2542AWH-14P	33.02	33.02	35.56
A2542AWH-5P	10.16	10.16	12.70	A2542AWH-15P	35.56	35.56	38.10
A2542AWH-6P	12.70	12.70	15.24	A2542AWH-16P	38.10	38.10	40.64
A2542AWH-7P	15.24	15.24	17.78	A2542AWH-17P	40.64	40.64	43.18
A2542AWH-8P	17.78	17.78	20.32	A2542AWH-18P	43.18	43.18	45.72
A2542AWH-9P	20.32	20.32	22.86	A2542AWH-19P	45.72	45.72	48.26
A2542AWH-10P	22.86	22.86	25.40	A2542AWH-20P	48.26	48.26	50.80
A2542AWH-11P	25.40	25.40	27.94				

Wire to Board Connector