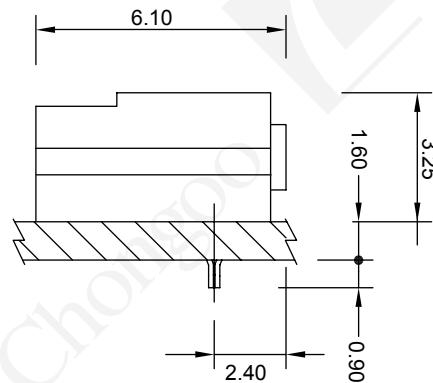


■ 技术参数 TECHNICAL PARAMETR

1. 间距 Pitch: 2.00mm
2. 额定电流 Current Rating: 0.5A AC/DC.
3. 额定电压 Voltage Rating: 150V AC/DC.
4. 温度范围 Temperature range: -25°C~+85°C
5. 耐压 Withstand Voltage: 150V/min
6. 接触电阻 Contact resistance: $\leq 50\text{m}\Omega$
7. 绝缘电阻 Insulation resistance: $\geq 500\text{M}\Omega$
8. 适用电线 Applicable wire: AWG#30~#22
9. 适应基板厚度 Applicable PC board thickness: 1.2~1.6mm

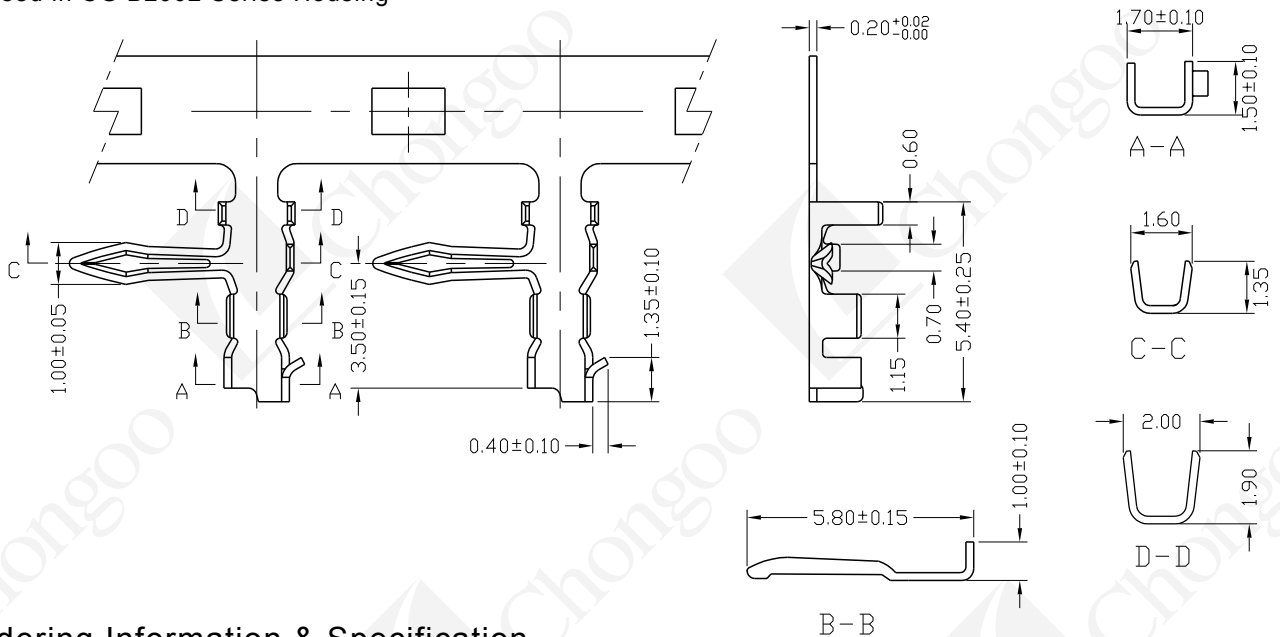
■ 安装图 Assembly layout



■ B2002T (Right Angle Crimp Terminal)

Reference Infomations:

*Used in CG B2002 Series Housing



■ Ordering Information & Specification

| Part No | Wire Range | Insulation O.D. | Material | Finish | Qty/Reel |
|-------------|-------------|-----------------|-----------------|------------|----------|
| B2002T-PA-Z | AWG #30~#22 | 1.30mm(max) | Phosphor bronze | Tin-plated | |

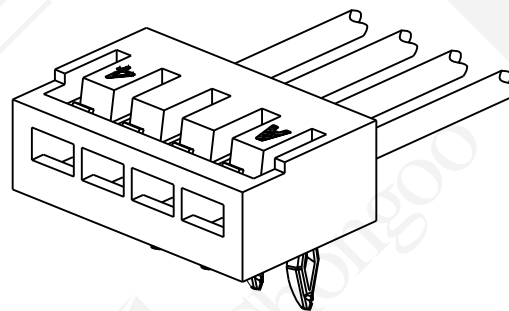
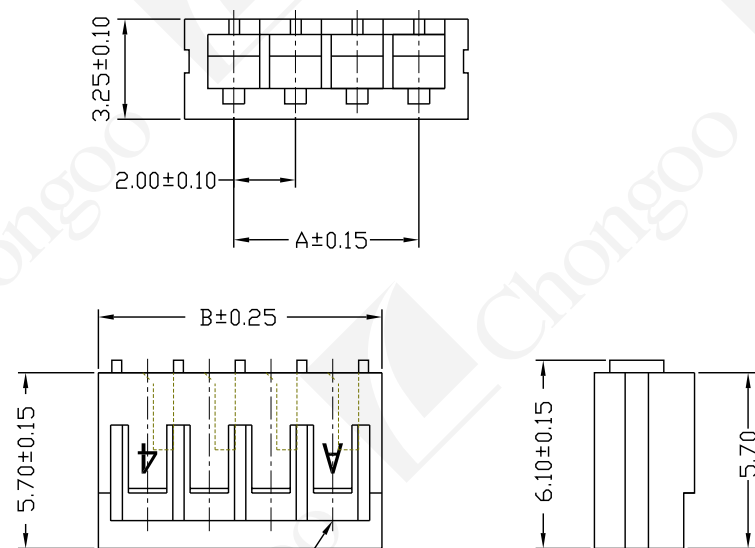
Unit:mm

■ B2002Y (Vertical Angle Housing)

Reference Informations:

*Material: PA66(UL94V-0)

*Suitable CG B2002T Series Terminal



■ Ordering Information & Dimensions

| PART No. | A | B | PART No. | A | B |
|-----------|-------|-------|------------|-------|-------|
| B2002Y-2P | 2.00 | 5.20 | B2002Y-8P | 12.00 | 17.20 |
| B2002Y-3P | 4.00 | 7.20 | B2002Y-9P | 14.00 | 19.20 |
| B2002Y-4P | 6.00 | 9.20 | B2002Y-10P | 16.00 | 21.20 |
| B2002Y-5P | 8.00 | 11.20 | B2002Y-11P | 18.00 | 23.20 |
| B2002Y-6P | 10.00 | 13.20 | B2002Y-12P | 20.00 | 25.20 |
| B2002Y-7P | 11.00 | 15.20 | B2002Y-13P | 24.00 | 27.20 |

P.C.B Layout