

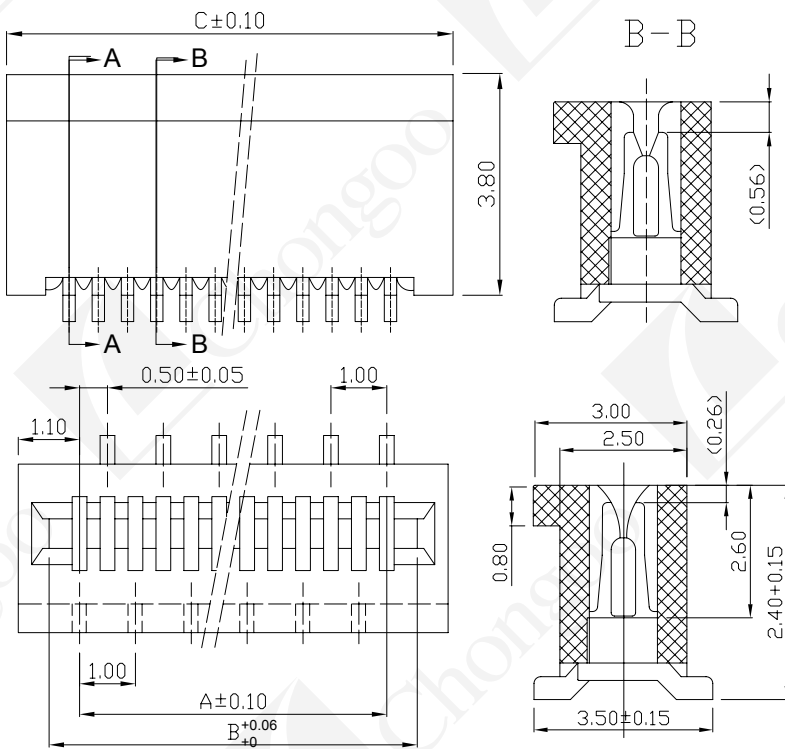
■ 技术参数 Technical parameter

1. 间距 Pitch : 0.5mm
2. 额定电流 Current Rating : 0.5A AC/DC.
3. 额定电压 Voltage Rating : 50V AC/DC.
4. 温度范围 Temperature range : -40°C~+85°C
5. 耐压 Withstand Voltage : 500V/min
6. 接触电阻 Contact resistance : $\leq 0.03\Omega$
7. 绝缘电阻 Insulation resistance : $\geq 500M\Omega$

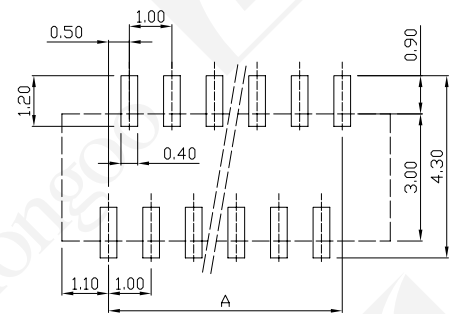
■ 材料 Material

1. 外壳 Housing : PA46/PA6T UL94V-0
2. 接触片 Contact : Phosphor bronze, Copper & Tin plating

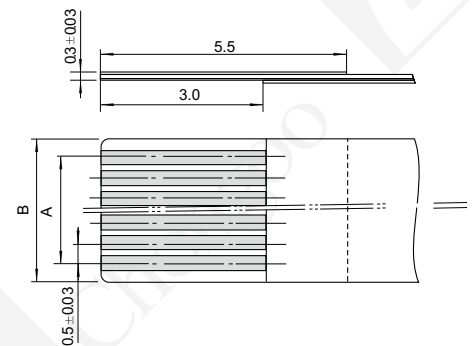
■ 立式 (SMT) Top Entry Type



■ 印刷电路板 PC board layout



■ 适用FFC/FPC Applicable FFC/FPC



■ 编号与尺寸 Ordering Information & Dimensions

PART No.	A	B	C	PART No.	A	B	C	PART No.	A	B	C
FPC0.5I-4P	1.50	2.50	3.70	FPC0.5I-20P	9.50	10.50	11.70	FPC0.5I-36P	17.50	18.50	19.70
FPC0.5I-5P	2.00	3.00	4.20	FPC0.5I-21P	10.00	11.00	12.20	FPC0.5I-37P	18.00	19.00	20.20
FPC0.5I-6P	2.50	3.50	4.70	FPC0.5I-22P	10.50	11.50	12.70	FPC0.5I-38P	18.50	19.50	20.70
FPC0.5I-7P	3.00	4.00	5.20	FPC0.5I-23P	11.00	12.00	13.20	FPC0.5I-39P	19.00	20.00	21.20
FPC0.5I-8P	3.50	4.50	5.70	FPC0.5I-24P	11.50	12.50	13.70	FPC0.5I-40P	19.50	20.50	21.70
FPC0.5I-9P	4.00	5.00	6.20	FPC0.5I-25P	12.00	13.00	14.20	FPC0.5I-41P	20.00	21.00	22.20
FPC0.5I-10P	4.50	5.50	6.70	FPC0.5I-26P	12.50	13.50	14.70	FPC0.5I-42P	20.50	21.50	22.70
FPC0.5I-11P	5.00	6.00	7.20	FPC0.5I-27P	13.00	14.00	15.20	FPC0.5I-43P	21.00	22.00	23.20
FPC0.5I-12P	5.50	6.50	7.70	FPC0.5I-28P	13.50	14.50	15.70	FPC0.5I-44P	21.50	22.50	23.70
FPC0.5I-13P	6.00	7.00	8.20	FPC0.5I-29P	14.00	15.00	16.20	FPC0.5I-45P	22.00	23.00	24.20
FPC0.5I-14P	6.50	7.50	8.70	FPC0.5I-30P	14.50	15.50	16.70	FPC0.5I-46P	22.50	23.50	24.70
FPC0.5I-15P	7.00	8.00	9.20	FPC0.5I-31P	15.00	16.00	17.20	FPC0.5I-47P	23.00	24.00	25.20
FPC0.5I-16P	7.50	8.50	9.70	FPC0.5I-32P	15.50	16.50	17.70	FPC0.5I-48P	23.50	24.50	25.70
FPC0.5I-17P	8.00	9.00	10.20	FPC0.5I-33P	16.00	17.00	18.20	FPC0.5I-49P	24.00	25.00	26.20
FPC0.5I-18P	8.50	9.50	10.70	FPC0.5I-34P	16.50	17.50	18.70	FPC0.5I-50P	24.50	25.50	26.70
FPC0.5I-19P	9.00	10.00	11.20	FPC0.5I-35P	17.00	18.00	19.20				