

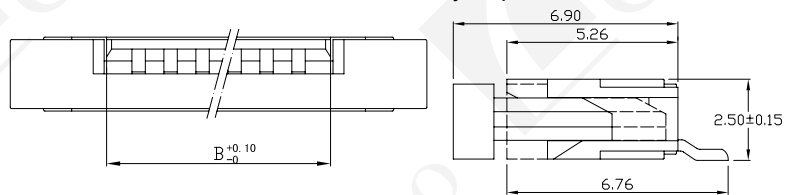
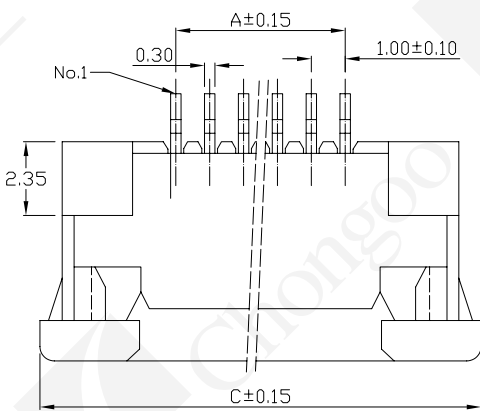
■ 技术参数 Technical parameter

- 1.间距 Pitch: 1.0mm
- 2.额定电流 Current Rating: 0.5A AC/DC.
- 3.额定电压 Voltage Rating: 50V AC/DC.
- 4.温度范围 Temperature range: -40°C~+85°C
- 5.耐压 Withstand Voltage: 500V/min
- 6.接触电阻 Contact resistance: $\leq 0.03\Omega$
- 7.绝缘电阻 Insulation resistance: $\geq 800M\Omega$

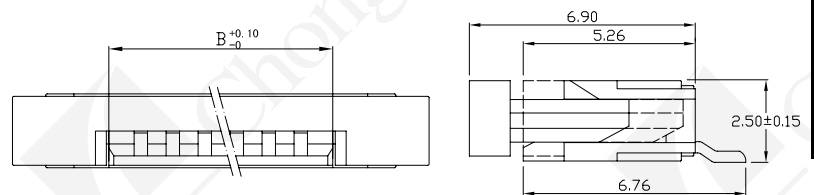
■ 材料 Material

- 1.外壳 Housing: PA46/PA6T UL94V-0
- 2.锁扣 Loeker: PPS UL94V-0
- 3.接触片 Contact: Phosphor bronze, Copper & Tin plating
- 4.焊片 Solder tab: Phosphor bronze, Copper & Tin plating

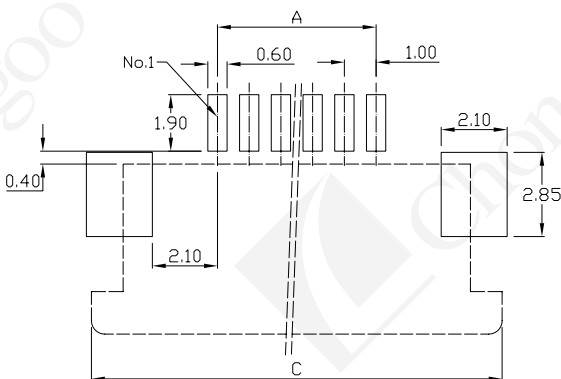
■ 卧式 (SMT) 上触点 Side Entry Top Contact



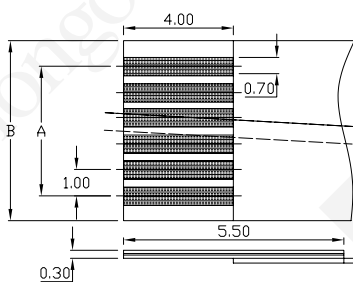
■ 卧式 (SMT) 下触点 Side Entry Bottom Contact



■ 印刷电路板 PC board layout



■ 适用FFC/FPC Applicable FFC/FPC



■ 命名与尺寸 (上接触)

Ordering Information & Dimensions (Top Contact)

PART No.	A	B	C	PART No.	A	B	C	PART No.	A	B	C
FPC1.0B-4Pt	3.00	5.00	11.10	FPC1.0B-15Pt	14.00	16.00	22.10	FPC1.0B-26Pt	25.00	27.00	33.10
FPC1.0B-5Pt	4.00	6.00	12.10	FPC1.0B-16Pt	15.00	17.00	23.10	FPC1.0B-27Pt	26.00	28.00	34.10
FPC1.0B-6Pt	5.00	7.00	13.10	FPC1.0B-17Pt	16.00	18.00	24.10	FPC1.0B-28Pt	27.00	29.00	35.10
FPC1.0B-7Pt	6.00	8.00	14.10	FPC1.0B-18Pt	17.00	19.00	25.10	FPC1.0B-29Pt	28.00	30.00	36.10
FPC1.0B-8Pt	7.00	9.00	15.10	FPC1.0B-19Pt	18.00	20.00	26.10	FPC1.0B-30Pt	29.00	31.00	37.10
FPC1.0B-9Pt	8.00	10.00	16.10	FPC1.0B-20Pt	19.00	21.00	27.10	FPC1.0B-31Pt	30.00	32.00	38.10
FPC1.0B-10Pt	9.00	11.00	17.10	FPC1.0B-21Pt	20.00	22.00	28.10	FPC1.0B-32Pt	31.00	33.00	39.10
FPC1.0B-11Pt	10.00	12.00	18.10	FPC1.0B-22Pt	21.00	23.00	29.10	FPC1.0B-33Pt	32.00	34.00	40.10
FPC1.0B-12Pt	11.00	13.00	19.10	FPC1.0B-23Pt	22.00	24.00	30.10	FPC1.0B-34Pt	33.00	35.00	41.10
FPC1.0B-13Pt	12.00	14.00	20.10	FPC1.0B-24Pt	23.00	25.00	31.10	FPC1.0B-35Pt	34.00	36.00	42.10
FPC1.0B-14Pt	13.00	15.00	21.10	FPC1.0B-25Pt	24.00	26.00	32.10	FPC1.0B-36Pt	35.00	37.00	43.10

■ 命名与尺寸 (下接触)

Ordering Information & Dimensions (Bottom Contact)

PART No.	A	B	C	PART No.	A	B	C	PART No.	A	B	C
FPC1.0B-4Pb	3.00	5.00	11.10	FPC1.0B-15Pb	14.00	16.00	22.10	FPC1.0B-26Pb	25.00	27.00	33.10
FPC1.0B-5Pb	4.00	6.00	12.10	FPC1.0B-16Pb	15.00	17.00	23.10	FPC1.0B-27Pb	26.00	28.00	34.10
FPC1.0B-6Pb	5.00	7.00	13.10	FPC1.0B-17Pb	16.00	18.00	24.10	FPC1.0B-28Pb	27.00	29.00	35.10
FPC1.0B-7Pb	6.00	8.00	14.10	FPC1.0B-18Pb	17.00	19.00	25.10	FPC1.0B-29Pb	28.00	30.00	36.10
FPC1.0B-8Pb	7.00	9.00	15.10	FPC1.0B-19Pb	18.00	20.00	26.10	FPC1.0B-30Pb	29.00	31.00	37.10
FPC1.0B-9Pb	8.00	10.00	16.10	FPC1.0B-20Pb	19.00	21.00	27.10	FPC1.0B-31Pb	30.00	32.00	38.10
FPC1.0B-10Pb	9.00	11.00	17.10	FPC1.0B-21Pb	20.00	22.00	28.10	FPC1.0B-32Pb	31.00	33.00	39.10
FPC1.0B-11Pb	10.00	12.00	18.10	FPC1.0B-22Pb	21.00	23.00	29.10	FPC1.0B-33Pb	32.00	34.00	40.10
FPC1.0B-12Pb	11.00	13.00	19.10	FPC1.0B-23Pb	22.00	24.00	30.10	FPC1.0B-34Pb	33.00	35.00	41.10
FPC1.0B-13Pb	12.00	14.00	20.10	FPC1.0B-24Pb	23.00	25.00	31.10	FPC1.0B-35Pb	34.00	36.00	42.10
FPC1.0B-14Pb	13.00	15.00	21.10	FPC1.0B-25Pb	24.00	26.00	32.10	FPC1.0B-36Pb	35.00	37.00	43.10