

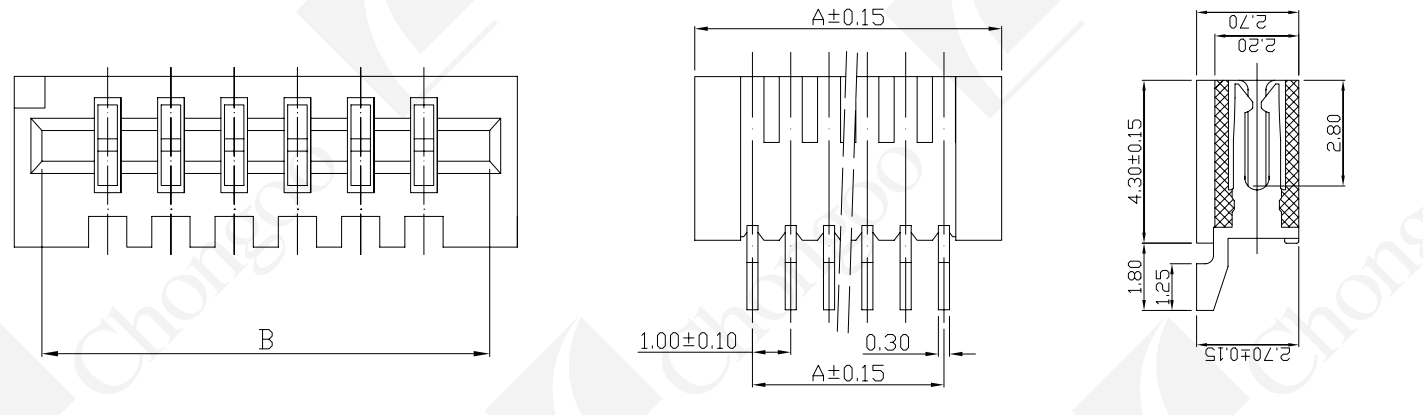
### ■ 技术参数 TECHNICAL PARAMETR

1. 间距 Pitch: 1.0mm
2. 额定电流 Current Rating: 0.5A AC/DC.
3. 额定电压 Voltage Rating: 50V AC/DC.
4. 温度范围 Temperature range: -40°C~+85°C
5. 耐压 Withstand Voltage: 500V/min
6. 接触电阻 Contact resistance:  $\leq 0.03\Omega$
7. 绝缘电阻 Insulation resistance:  $\geq 800M\Omega$
8. 适用印刷电路板厚度  
Applicable PC board thickness: 0.8~1.6mm

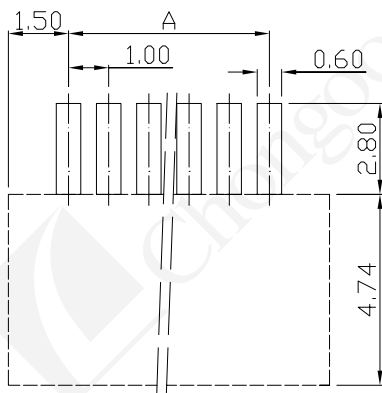
### ■ 材料 Material

1. 外壳 Housing: PA46/PA6T UL94V-0
2. 接触片 Contact: Phosphor bronze, Copper & Tin plating

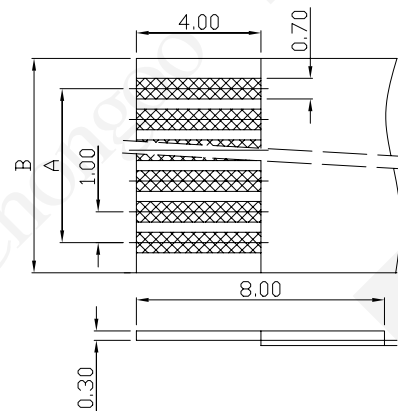
### ■ 卧式 (SMT) 双触点 Side Entry Double Contact



### ■ 印刷电路板 PC board layout



### ■ 适用FFC/FPC Applicable FFC/FPC



### ■ 编号与尺寸

#### Ordering Informftion & Dimensions

PART No.	A	B	C	PART No.	A	B	C	PART No.	A	B	C
FPC1.0E-4P	3.00	5.00	6.00	FPC1.0E-17P	16.00	18.00	19.00	FPC1.0E-30P	29.00	31.00	32.00
FPC1.0E-5P	4.00	6.00	7.00	FPC1.0E-18P	17.00	19.00	20.00	FPC1.0E-31P	30.00	32.00	33.00
FPC1.0E-6P	5.00	7.00	8.00	FPC1.0E-19P	18.00	20.00	21.00	FPC1.0E-32P	31.00	33.00	34.00
FPC1.0E-7P	6.00	8.00	9.00	FPC1.0E-20P	19.00	21.00	22.00	FPC1.0E-33P	32.00	34.00	35.00
FPC1.0E-8P	7.00	9.00	10.00	FPC1.0E-21P	20.00	22.00	23.00	FPC1.0E-34P	33.00	35.00	36.00
FPC1.0E-9P	8.00	10.00	11.00	FPC1.0E-22P	21.00	23.00	24.00	FPC1.0E-35P	34.00	36.00	37.00
FPC1.0E-10P	9.00	11.00	12.00	FPC1.0E-23P	22.00	24.00	25.00	FPC1.0E-36P	35.00	37.00	38.00
FPC1.0E-11P	10.00	12.00	13.00	FPC1.0E-24P	23.00	25.00	26.00	FPC1.0E-37P	36.00	38.00	39.00
FPC1.0E-12P	11.00	13.00	14.00	FPC1.0E-25P	24.00	26.00	27.00	FPC1.0E-38P	37.00	39.00	40.00
FPC1.0E-13P	12.00	14.00	15.00	FPC1.0E-26P	25.00	27.00	28.00	FPC1.0E-39P	38.00	40.00	41.00
FPC1.0E-14P	13.00	15.00	16.00	FPC1.0E-27P	26.00	28.00	29.00	FPC1.0E-40P	39.00	41.00	42.00
FPC1.0E-15P	14.00	16.00	17.00	FPC1.0E-28P	27.00	29.00	30.00				
FPC1.0E-16P	15.00	17.00	18.00	FPC1.0E-29P	28.00	30.00	31.00				

FPC/FFC Connector