



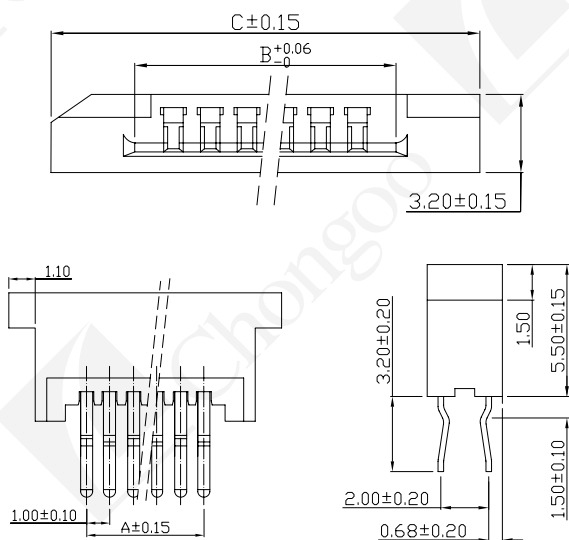
■ 技术参数 TECHNICAL PARAMETR

- 1.间距 Pitch: 1.0mm
- 2.额定电流 Current Rating: 0.5A AC/DC.
- 3.额定电压 Voltage Rating: 50V AC/DC.
- 4.温度范围 Temperature range: -40°C~+85°C
- 5.耐压 Withstand Voltage: 500V/min
- 6.接触电阻 Contact resistance: $\leq 0.03\Omega$
- 7.绝缘电阻 Insulation resistance: $\geq 800M\Omega$
- 8.适用印刷电路板厚度
Applicable PC board thickness: 0.8~1.6mm

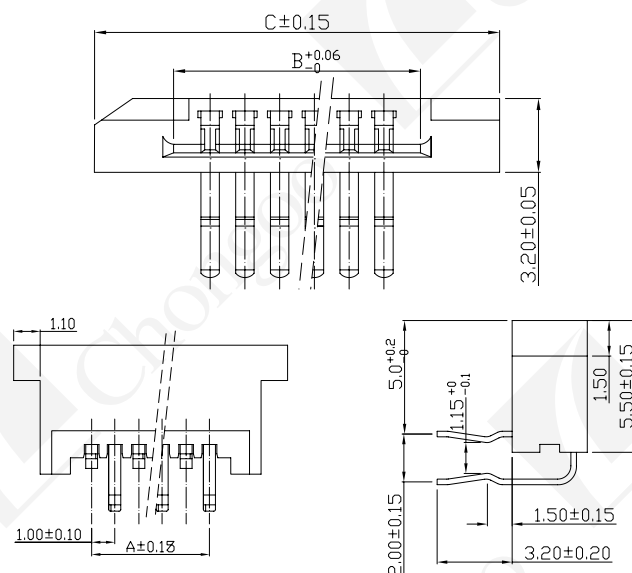
■ 材料 Material

- 1.外壳 Housing: PA46/PA6T UL94V-0
- 2.接触片 Contact: Phosphor bronze, Copper & Tin plating

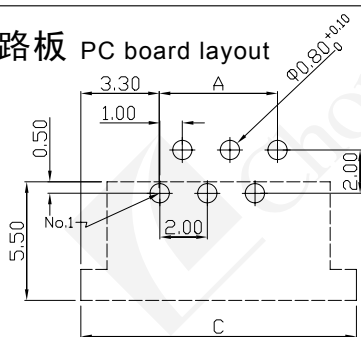
■ 立式 Top Entry Dual Contact



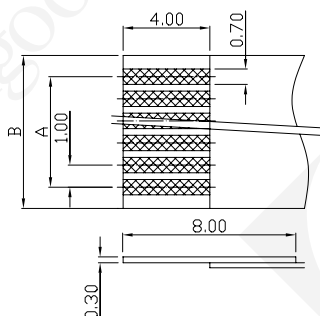
■ 卧式90°弯 Side Entry Right Angle, Contact



■ 印刷电路板 PC board layout



■ 适用FFC/FPC Applicable FFC/FPC



■ 编号与尺寸(直式)

Ordering Information & Dimensions (Top Entry)

PART No.	A	B	C	PART No.	A	B	C	PART No.	A	B	C
FPC1.0F-4Pt	3.00	5.00	9.60	FPC1.0F-17Pt	16.00	18.00	22.60	FPC1.0F-30Pt	29.00	31.00	35.60
FPC1.0F-5Pt	4.00	6.00	10.60	FPC1.0F-18Pt	17.00	19.00	23.60	FPC1.0F-31Pt	30.00	32.00	36.60
FPC1.0F-6Pt	5.00	7.00	11.60	FPC1.0F-19Pt	18.00	20.00	24.60	FPC1.0F-32Pt	31.00	33.00	37.60
FPC1.0F-7Pt	6.00	8.00	12.60	FPC1.0F-20Pt	19.00	21.00	25.60	FPC1.0F-33Pt	32.00	34.00	38.60
FPC1.0F-8Pt	7.00	9.00	13.60	FPC1.0F-21Pt	20.00	22.00	26.60	FPC1.0F-34Pt	33.00	35.00	39.60
FPC1.0F-9Pt	8.00	10.00	14.60	FPC1.0F-22Pt	21.00	23.00	27.60	FPC1.0F-35Pt	34.00	36.00	40.60
FPC1.0F-10Pt	9.00	11.00	15.60	FPC1.0F-23Pt	22.00	24.00	28.60	FPC1.0F-36Pt	35.00	37.00	41.60
FPC1.0F-11Pt	10.00	12.00	16.60	FPC1.0F-24Pt	23.00	25.00	29.60	FPC1.0F-37Pt	36.00	38.00	42.60
FPC1.0F-12Pt	11.00	13.00	17.60	FPC1.0F-25Pt	24.00	26.00	30.60	FPC1.0F-38Pt	37.00	39.00	43.60
FPC1.0F-13Pt	12.00	14.00	18.60	FPC1.0F-26Pt	25.00	27.00	31.60	FPC1.0F-39Pt	38.00	40.00	44.60
FPC1.0F-14Pt	13.00	15.00	19.60	FPC1.0F-27Pt	26.00	28.00	32.60	FPC1.0F-40Pt	39.00	41.00	45.60
FPC1.0F-15Pt	14.00	16.00	20.60	FPC1.0F-28Pt	27.00	29.00	33.60				
FPC1.0F-16Pt	15.00	17.00	21.60	FPC1.0F-29Pt	28.00	30.00	34.60				

■ 编号与尺寸(90°弯式)

Ordering Information & Dimensions (Right Angle)

PART No.	A	B	C	PART No.	A	B	C	PART No.	A	B	C
FPC1.0F-4Pr	3.00	5.00	9.60	FPC1.0F-17Pr	16.00	18.00	22.60	FPC1.0F-30Pr	29.00	31.00	35.60
FPC1.0F-5Pr	4.00	6.00	10.60	FPC1.0F-18Pr	17.00	19.00	23.60	FPC1.0F-31Pr	30.00	32.00	36.60
FPC1.0F-6Pr	5.00	7.00	11.60	FPC1.0F-19Pr	18.00	20.00	24.60	FPC1.0F-32Pr	31.00	33.00	37.60
FPC1.0F-7Pr	6.00	8.00	12.60	FPC1.0F-20Pr	19.00	21.00	25.60	FPC1.0F-33Pr	32.00	34.00	38.60
FPC1.0F-8Pr	7.00	9.00	13.60	FPC1.0F-21Pr	20.00	22.00	26.60	FPC1.0F-34Pr	33.00	35.00	39.60
FPC1.0F-9Pr	8.00	10.00	14.60	FPC1.0F-22Pr	21.00	23.00	27.60	FPC1.0F-35Pr	34.00	36.00	40.60
FPC1.0F-10Pr	9.00	11.00	15.60	FPC1.0F-23Pr	22.00	24.00	28.60	FPC1.0F-36Pr	35.00	37.00	41.60
FPC1.0F-11Pr	10.00	12.00	16.60	FPC1.0F-24Pr	23.00	25.00	29.60	FPC1.0F-37Pr	36.00	38.00	42.60
FPC1.0F-12Pr	11.00	13.00	17.60	FPC1.0F-25Pr	24.00	26.00	30.60	FPC1.0F-38Pr	37.00	39.00	43.60
FPC1.0F-13Pr	12.00	14.00	18.60	FPC1.0F-26Pr	25.00	27.00	31.60	FPC1.0F-39Pr	38.00	40.00	44.60
FPC1.0F-14Pr	13.00	15.00	19.60	FPC1.0F-27Pr	26.00	28.00	32.60	FPC1.0F-40Pr	39.00	41.00	45.60
FPC1.0F-15Pr	14.00	16.00	20.60	FPC1.0F-28Pr	27.00	29.00	33.60				
FPC1.0F-16Pr	15.00	17.00	21.60	FPC1.0F-29Pr	28.00	30.00	34.60				

Unit:mm